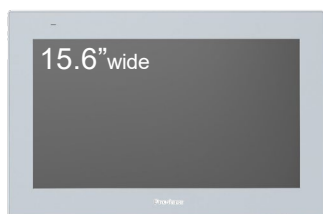


# ET6000 Series



**ET-6700WA**  
Model: PFXET6700WAD



**ET-6600WA**  
Model: PFXET6600WAD



**ET-6500WA**  
Model: PFXET6500WAD



**ET-6400WA**  
Model: PFXET6400WAD

## Model Number Configuration

Display Module

PFXET6 \* 00 W A D  
(1) (2) (3) (4) (5)

(1) Size	(2) Type	(3) Resolution	(4) Touch Panel	(5) Power Supply
7 15"	00 Reserved	W Wide TFT	A Analog	D DC
6 12"				
5 10"				
4 7"				

## Display Specifications

	ET-6700WA	ET-6600WA	ET-6500WA	ET-6400WA
Display Type	TFT Color LCD			
Display Size	15.6" wide	12.1" wide	10.1" wide	7.0" wide
Resolution	1,366 x 768 pixels	1,280 x 800 pixels	1,024 x 600 pixels	800 x 480 pixels
Effective Display Area	344.23 x 193.54 mm (13.55 x 7.62 in)	261.12 x 163.2 mm (10.28 x 6.43 in)	222.72 x 125.28 mm (8.77 x 4.93 in)	154.08 x 85.92 mm (6.07 x 3.38 in)
Display Colors	16 million colors For details about display colors, refer to the manual of your screen editing software.			
Backlight	White LED (Not user replaceable. When replacement is required, contact customer support.)			
Backlight Service Life	50,000 hours or more (continuous operation at 25 °C [77 °F] before backlight brightness decreases to 25%)			
Brightness Control	16 levels (Adjusted with touch panel or software)			
Touch Panel Type	Resistive film (analog, single touch)			
Touch Panel Resolution	1,024 x 1,024			
Touch Panel Lifetime	1,000,000 times or more			

## Electrical Specifications

	ET-6700WA	ET-6600WA	ET-6500WA	ET-6400WA
Rated Input Voltage	24 Vdc			
Input Voltage Limits	19.2 to 28.8 Vdc			
Voltage drop (at rated input voltage)	5 ms or less			
Power Consumption	18.5 W	14 W	11 W	9 W
In-Rush Current	30 A or less			
Noise immunity	Noise voltage: 1,000 Vp-p, pulse duration: 1 μs, rise time: 1 ns (via noise simulator)			
Dielectric strength	1,000 Vac, 20 mA for 1 minute (between charging and FG terminals)			
Insulation Resistance	500 Vdc, 10 MΩ or more			

## Environmental Specification

	ET-6700WA	ET-6600WA	ET-6500WA	ET-6400WA
Certifications	IP65, Type 4X, CE, UL, KC	IP65, CE, UL, KC		
Ambient air temperature	0 to 50 °C (32 to 122 °F)			
Storage Temperature	-20 to 60 °C (-4 to 140 °F)			
Ambient air and storage humidity	10%...90% RH (Non condensing, wet bulb temperature 39 °C [102.2 °F] or less)			
Dust	0.1 mg/m3 (10-7 oz/ft3) or less (non-conductive levels)			
Pollution Degree	For use in Pollution Degree 2 environment			
Corrosive Gases	Free of corrosive gases			
Air pressure (altitude range)	800 to 1,114 hPa (2,000 m [6,561 ft.] above sea level or less)			
Vibration Resistance	IEC/EN 61131-2 compliant 5 to 9 Hz single amplitude 3.5 mm [0.14 in.] 9 to 150 Hz fixed acceleration: 9.8 m/s2 X, Y, Z directions for 10 cycles (approx. 100 min.)			
Shock Resistance	IEC/EN 61131-2 compliant 147 m/s2, X, Y, Z directions for 3 times			
Electrical fast transient/burst	IEC 61000-4-4 2 kV: Power port (display unit) 1 kV: Signal ports			
Electrostatic Discharge Immunity	Contact Discharge Method: 6 kV Air Discharge Method: 8 kV (IEC/EN61000-4-2 Level 3)			

## Interface Specification

	ET-6700WA	ET-6600WA	ET-6500WA	ET-6400WA
Serial (COM1)	Asynchronous Transmission: RS-232C, Data Length: 7 or 8 bits, Stop Bit: 1 or 2 bits, Parity: None, Even or Odd, Data Transmission Speed: 2,400 to 115,200 bps, Connector: D-Sub 9 (plug)			
Serial (COM2)	Asynchronous Transmission: RS-422/485, Data Length: 7 or 8 bits, Stop Bit: 1 or 2 bits, Parity: None, Even or Odd, Data Transmission Speed: 2,400 to 115,200 bps, Connector: D-Sub 9 (plug)			
USB (Type A)	Conforms to USB 2.0 (Type A) x 1 Power supply voltage: 5 Vdc $\pm$ 5 % Output Current: 500 mA/port Maximum transmission distance : 3 m (9.84 ft) at 1.5/12/480 Mbps			
USB (micro-B)	Conforms to USB 2.0 (micro-B) x 1, Maximum transmission distance : 3 m (9.84 ft) at 1.5/12/480 Mbps			
Ethernet	IEEE802.3i/IEEE802.3u, 10BASE-T/100BASE-TX, Connector: Modular jack (RJ-45) x 1			

## Structural Specification

	ET-6700WA	ET-6600WA	ET-6500WA	ET-6400WA
Grounding	Functional grounding: Grounding resistance of 100 $\Omega$ , 2 mm <sup>2</sup> (AWG 14) or thicker wire, or your country's applicable standard.			
Cooling Method	Natural air circulation			
Structure	IP65, Type 4X (indoor use only)	IP65		
External Dimensions	412 x 268 x 50 mm (16.22 x 10.55 x 1.97 in)	310.5 x 232.5 x 50 mm (12.22 x 9.15 x 1.97 in)	270.5 x 200.5 x 47 mm (10.65 x 7.89 x 1.85 in)	205.5 x 150.5 x 45 mm (8.09 x 5.92 x 1.77 in)
Panel Cut Dimensions	394 x 250 mm (15.51 x 9.84 in)*1 Panel thickness area: 1.6...5 mm (0.06...0.2 in)*2	295 x 217 mm (11.61 x 8.54 in)*1 Panel thickness area: 1.6...5 mm (0.06...0.2 in)*2	255 x 185 mm (10.04 x 7.28 in)*1 Panel thickness area: 1.6...5 mm (0.06...0.2 in)*2	190 x 135 mm (7.48 x 5.31 in)*1 Panel thickness area: 1.6 to 5 mm(0.06 to 0.2 in)*2
Weight	2.7 kg (5.95 lb) or less	1.8 kg (3.97 lb) or less	1.3 kg (2.87 lb) or less	0.8 kg (1.76 lb) or less

\*1 For dimensional tolerance, everything +1/-0 mm (+0.04/-0 in) and R in angle are below R3 (R0.12 in)

\*2 Even if the installation wall thickness is within the recommended range for the "Panel Cut Dimensions", depending on wall's material, size, and installation location of this product and other...

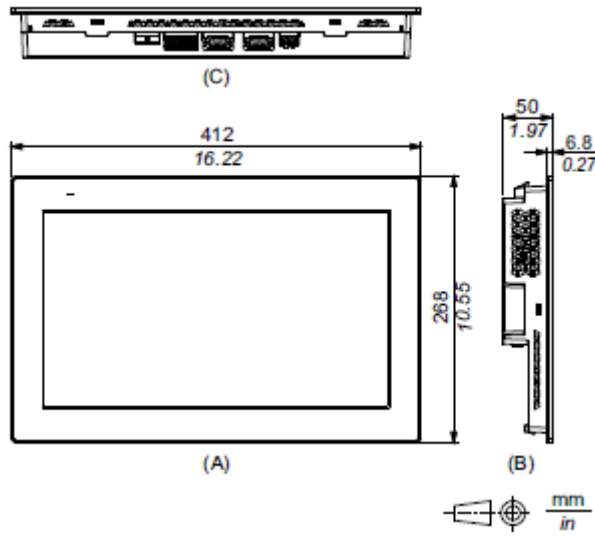
## Memory

		ET-6700WA	ET-6600WA	ET-6500WA	ET-6400WA
Application memory	Editor : GP-Pro EX	Media	FLASH EPROM		
		Screen area*1	64 MB		32 MB
		User font area	8 MB		
		Logic program area	132KB (Equivalent to 15,000 steps)		
		Free space	-		
	Removable system	No			
Backup memory	Editor : GP-Pro EX	Screen area	SRAM 128 KB		
		Variable area	-		
	Battery	Replaceable battery / Primary battery for clock data backup			

# ET6000 Series

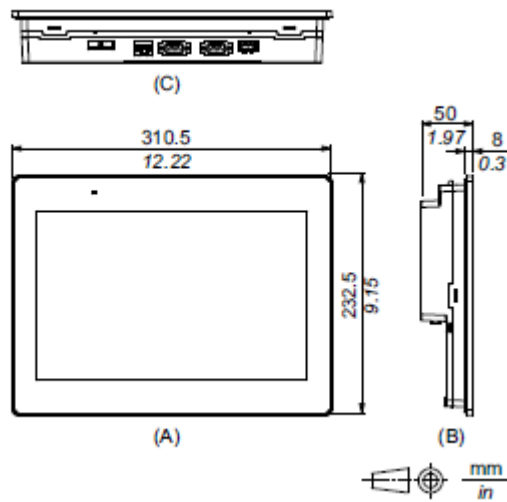
## External Dimensions

ET-6700WA



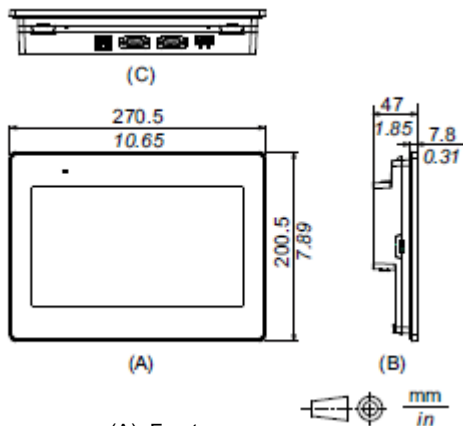
(A). Front  
(B). Left  
(C). Bottom

ET-6600WA



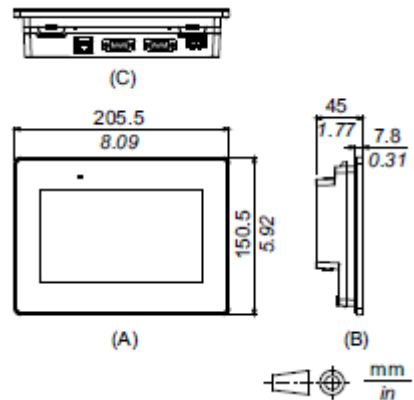
(A). Front  
(B). Left  
(C). Bottom

ET-6500WA



(A). Front  
(B). Left  
(C). Bottom

ET-6400WA



(A). Front  
(B). Left  
(C). Bottom

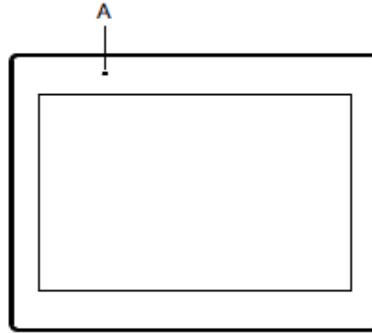
## ■ Parts Identification

**A.** Status LED    **B.** USB (Type A) interface    **C.** USB (micro-B) interface    **D.** Battery slot  
**E.** Ethernet interface    **F.** Serial interface (COM2)    **G.** Serial interface (COM1)    **H.** Power connector

\*1 This mark indicates the safety messages about the power wiring.

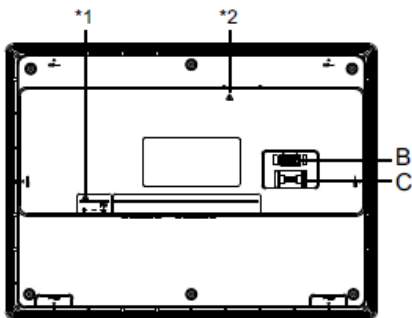
\*2 This mark identifies the safety messages about the battery.

Front

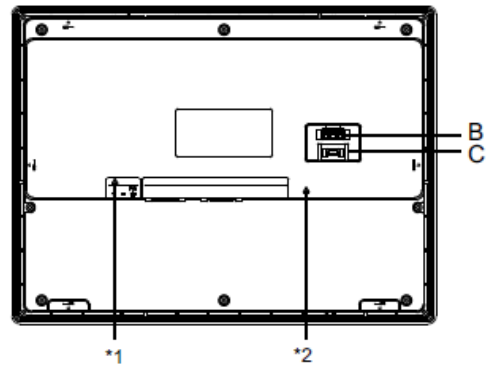


Rear

ET-6400WA and ET-6500WA

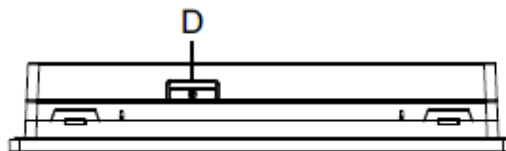


ET-6600WA and ET-6700WA



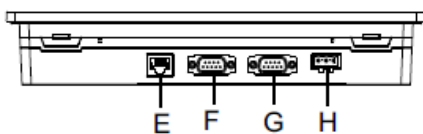
Top

ET-6600WA and ET-6700WA

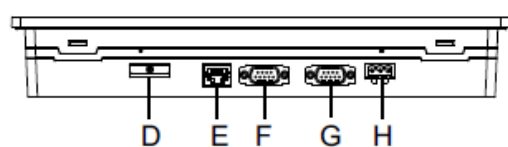


Bottom

ET-6400WA and ET-6500WA

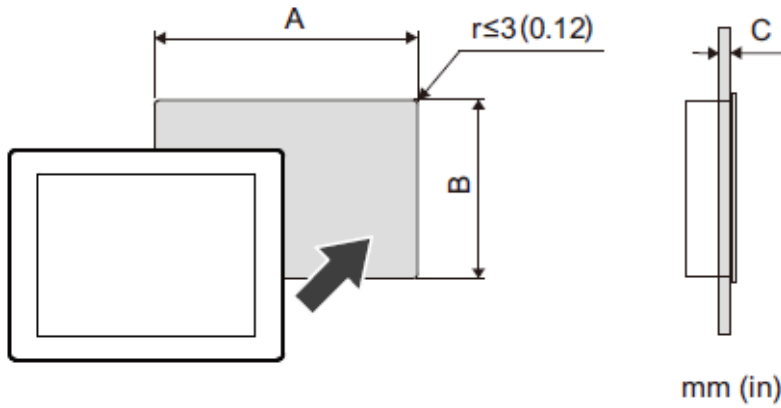


ET-6600WA and ET-6700WA



## ■ Panel Cut Dimensions

Based on the panel cut dimensions, open a mount hole on the panel.



Model name	A	B	C
ET-6700WA	394 mm (+1/-0 mm) (15.51 in [+0.04/-0 in])	250 mm (+1/-0 mm) (9.84 in [+0.04/-0 in])	1.6...5mm (0.06..0.2 in)
ET-6600WA	295 mm (+1/-0 mm) (11.61 in [+0.04/-0 in])	217 mm (+1/-0 mm) (8.54 in [+0.04/-0 in])	
ET-6500WA	255 mm (+1/-0 mm) (10.04 in [+0.04/-0 in])	185 mm (+1/-0 mm) (7.28 in [+0.04/-0 in])	
ET-6400WA	190 mm (+1/-0 mm) (7.48 in [+0.04/-0 in])	135 mm (+1/-0 mm) (5.31 in [+0.04/-0 in])	

